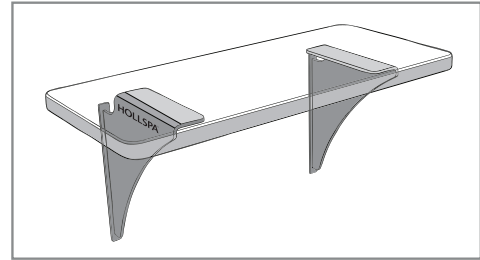


HOLLSPA™ CURVE Floating Bench System



The system consists of two parts that are sold separately:

1. CURVE MOUNTING KIT (US Patent No. 9,808,127)

The HOLLSPA™ patented mounting system is designed to conceal all framing mounting attachments behind the wall.

2. BENCHTOP

HOLLSPA™ offers a variety of benchtop materials at both standard and ADA compliant dimensions. Clients can alternatively select and provide their own benchtop.

MAIN FEATURES

- Stainless steel, dual bracket design with concealed wall-mounting hardware.
- Support brackets are adaptable to different bench widths and wall configurations.
- Can be customized with a wide range of benchtop materials and sizes.
- Supports 500 lbs. load at the maximum bracket span configuration.
- All exposed components are corrosion resistant and suitable for wet environments.
- Gapped design eliminates mildew prone areas between benchtop and wall.
- Bracket back-slope design of 1/4 inch per foot enhances both safety and comfort.

INTENDED USE

- Residential and commercial applications.
- For installation directly to wood wall framing.

REQUIREMENTS AND LIMITATIONS

- Concealed mounting design requires access to wall framing.
- Wall framing must be stable and rigid enough to support a load of 500 lbs.
- Not recommended for steel framing walls without integration of fire-rated wood framing.
- Not recommended for masonry/concrete walls.
- Not to be used as a step and/or standing platform.

1. CURVE MOUNTING KIT (FBMK-CURVE-SS-WF)

For Wood Framing

Size: Universal

PARTS LIST

- Two brackets - 1/4" thickness, made of brushed AISI 304 stainless steel.
- Rough-in wood framing kit:
 - Concealed framing installation attachments.
 - Structural fasteners included to maximize strength.
 - Template guides provided to simplify backerboard and tile installation.
- Silicone sealant (DOWSIL™ 786 Silicone Sealant):
 - Minimizes potential for water damage.
 - Does not require a primer.
 - High temperature and mildew resistant.

- **Benchtop mounting epoxy (Loctite® Metal/Concrete):**
 - Designed to bond a wide variety of benchtop materials.
 - Forms a durable, high-strength, bond that is resistant to heat and moisture exposure.

2. BENCHTOP

- **Recommended dimensions:**
 - Width: 16” minimum – 44” maximum.
 - Depth: 11-1/4” minimum – 16” maximum.
 - Minimum thickness: 0.8” (2cm).
- **Recommended materials:**
 - Engineered quartz.
 - Teak wood.
 - Any alternative material of suitable strength with proven performance in wet environments.

BENCHTOP SELECTION GUIDELINES

Material Details		Recommended Dimensions	
		Width	Depth
Engineered Quartz	3cm Thickness	16” min. - 44” max.	11-1/4” min. - 16” max.
	2cm Thickness	16” min. - 32” max.	11-1/4” min. - 16” max.
Alternative Materials*	Materials < 2cm Thick (e.g. Thin Slabs and Porcelain)	16” min. - 32” max.	11-1/4” min. - 16” max.
	Natural Stone (e.g. Marble and Granite)		

*Consult with your fabricator to determine suitability of alternative materials.

INSTALLATION

- Follow the Installation Manual available here: hollspa.com/installation.

WARRANTY

- 1-yr Limited Warranty available here: hollspa.com/warranty.

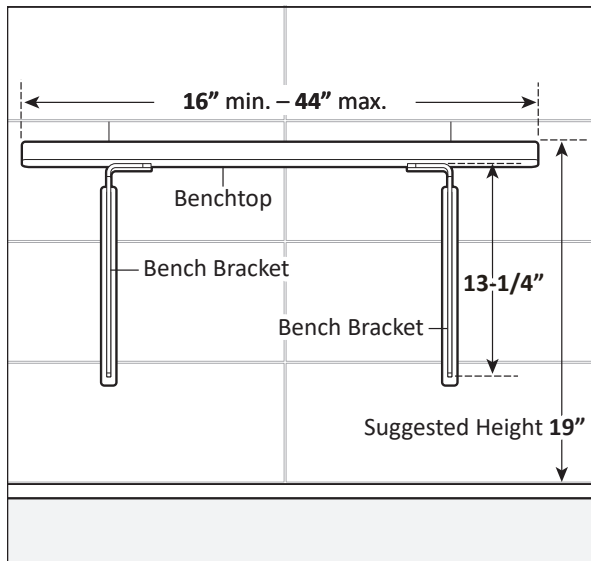
RELATED DOCUMENTATION

- Planning Guide. Available here: hollspa.com/planning-guide.
- Product Care and Safety. Available here: hollspa.com/care.
- Terms and Conditions of Sale. Available here: hollspa.com/terms-of-sale.

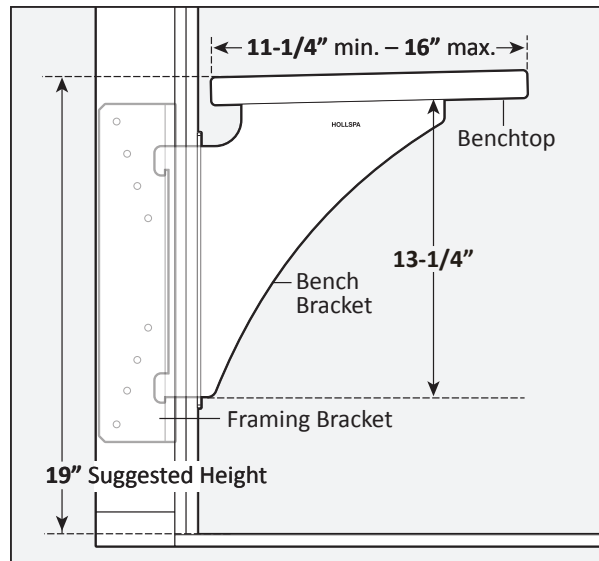
SUPPORT AND FURTHER INFORMATION

- Contact us at 800.215.0203 or support@hollspa.com.
- See www.hollspa.com.

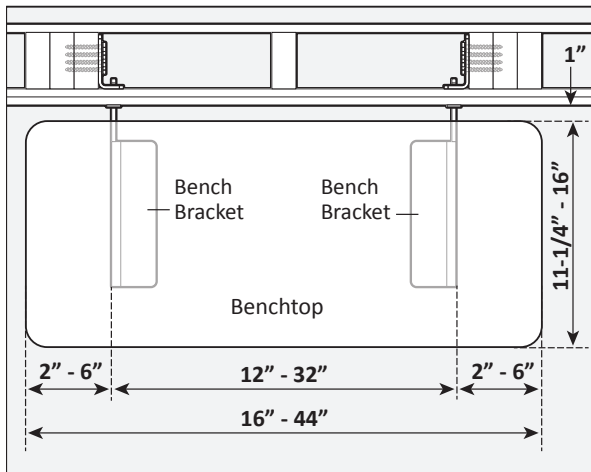
FRONT VIEW



SIDE VIEW



TOP VIEW



ARCHITECTURAL SPECIFICATIONS

- The bench system shall be supported by two brackets making no contact with the floor and have all framing attachment elements concealed behind the wall. Supporting brackets are to be AISI 304 grade stainless steel construction and designed to result in benchtop sloping back towards the wall 1/4 inch per foot. Must support a minimum of 500 lbs. and have a proven performance in wet environments for all exposed components.

HOLLSPA PRODUCTS LLC
6907 Breezewood Terrace, North Bethesda MD 20852
This Technical Datasheet and the referenced materials are subject
to change without notice. See hollspa.com for the latest version.
CURVE Floating Bench System | Technical Datasheet v.2020.11.4
© 2020 HOLLSPA PRODUCTS LLC