

- Benchtop mounting epoxy (Loctite® Metal/Concrete):
 - Designed to bond a wide variety of benchtop materials.
 - Forms a durable, high-strength, bond that is resistant to heat and moisture exposure.

2. BENCHTOP

- Recommended dimensions:
 - Width: 16” minimum – 44” maximum.
 - Depth: 11-1/4” minimum – 16” maximum.
 - Minimum thickness: 0.8” (2cm).
- Recommended materials:
 - Engineered quartz.
 - Teak wood.
 - Any alternative material with proven performance in wet environments (natural stone, porcelain, etc.)*.

BENCHTOP SELECTION GUIDELINES

Material Details		Recommended Dimensions	
		Length	Depth
Engineered Quartz	3cm Thickness	16” min. - 44” max.	11-1/4” min. - 16” max.
	2cm Thickness	16” min. - 32” max.	11-1/4” min. - 16” max.
Alternative Materials*	Materials < 2cm Thick (e.g. Thin Slabs and Porcelain)	16” min. - 32” max.	11-1/4” min. - 16” max.
	Natural Stone (e.g. Marble and Granite)		

*Consult with your fabricator to determine suitability of alternative materials.

INSTALLATION

- Follow the Installation Manual available here: hollspa.com/installation.

WARRANTY

- 1-yr Limited Warranty available here: hollspa.com/warranty.

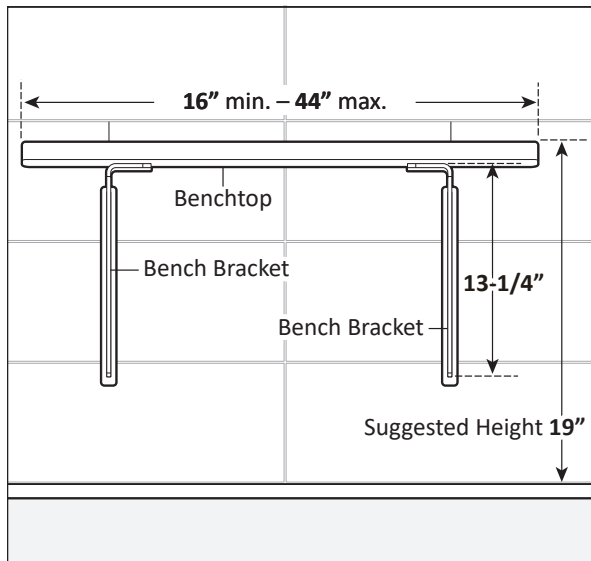
RELATED DOCUMENTATION

- Design Guide. Available here: hollspa.com/designguide.
- Product Care and Safety. Available here: hollspa.com/care.
- Terms and Conditions of Sale. Available here: hollspa.com/termsofsale.

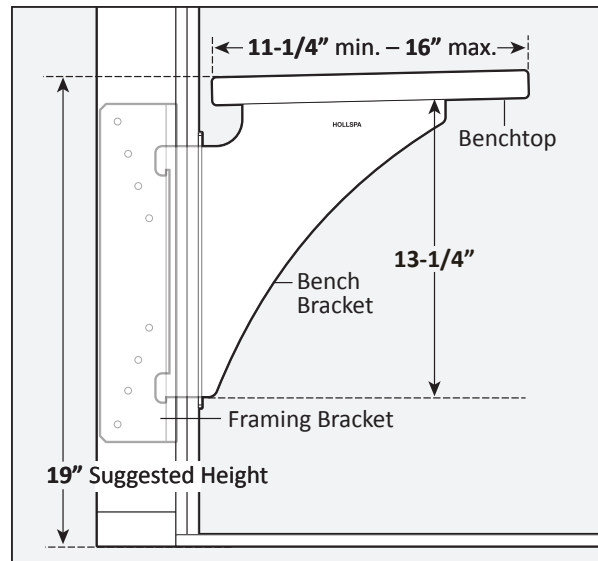
SUPPORT AND FURTHER INFORMATION

- Contact us at 800.215.0203 or support@hollspa.com.
- See www.hollspa.com.

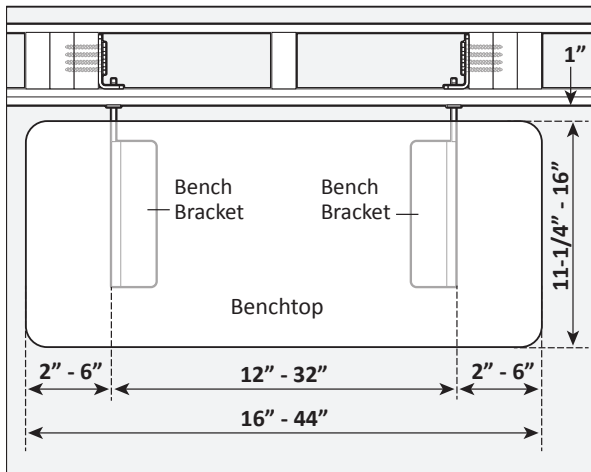
FRONT VIEW



SIDE VIEW



TOP VIEW



ARCHITECTURAL SPECIFICATIONS

- The bench system shall be supported by two brackets making no contact with the floor and have all framing attachment elements concealed behind the wall. Supporting brackets are to be AISI 304 grade stainless steel construction and designed to result in benchtop sloping back towards the wall 1/4 inch per foot. Must support a minimum of 500 lbs. and have a proven performance in wet environments for all exposed components.

HOLLSPA PRODUCTS LLC
6907 Breezewood Terrace, North Bethesda MD 20852
This Technical Datasheet and the referenced materials are subject to change without notice. See hollspa.com for the latest version.
CURVE Floating Bench System | Technical Datasheet v.2020.08.10
© 2020 HOLLSPA PRODUCTS LLC